

DATE

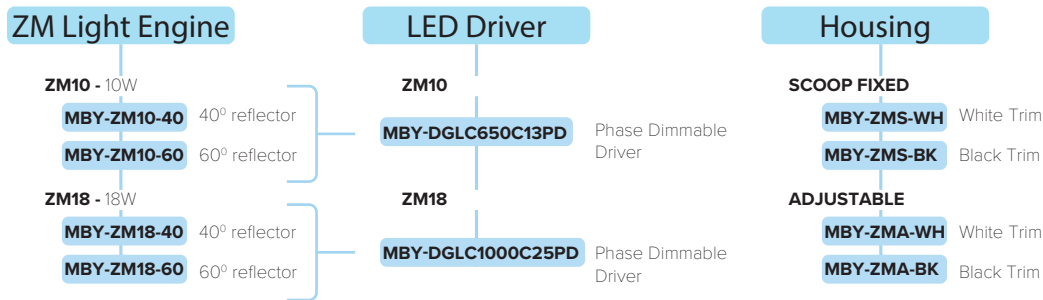
PROJECT

TYPE



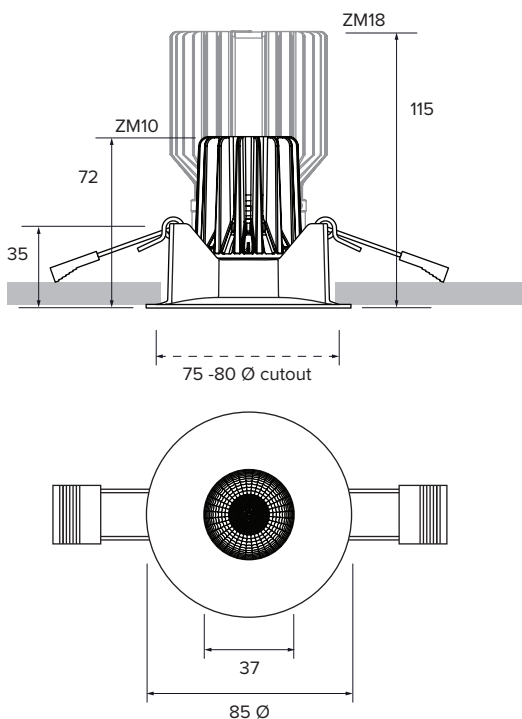
Specification Code

Select from available options to configure luminaire.

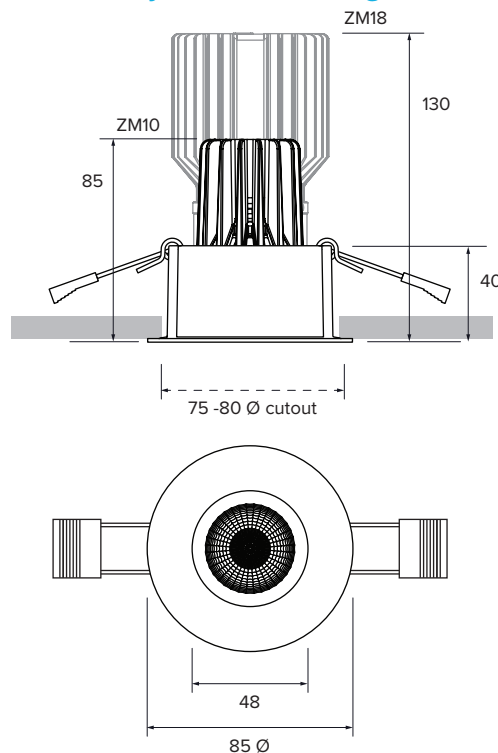


Dimensions

Scoop Housing



Adjustable Housing



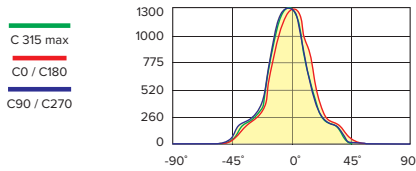
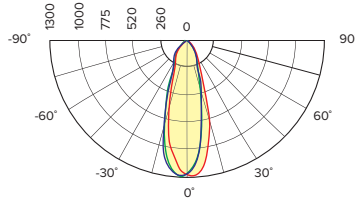


ZM10



ZM18

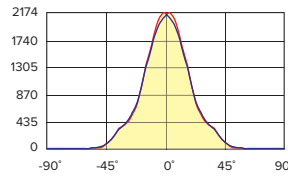
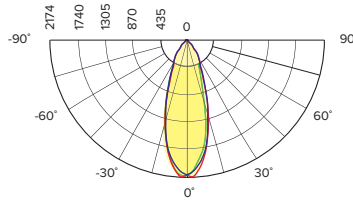
40° Reflector



C 315 max
C0 / C180
C90 / C270

Height	Max / Avg lx	Diameter
1.0m	1288 / 1029 lx	57 cm
2.0m	322 / 257 lx	114 cm
3.0m	143 / 114 lx	172 cm
4.0m	80 / 64 lx	229 cm
5.0m	51 / 41 lx	286 cm

Beam Angle of C315 Plane 31.96

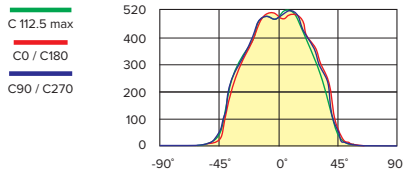
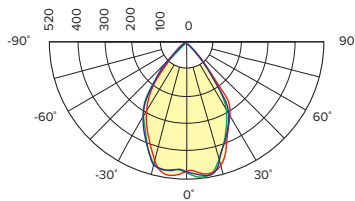


C 0 max
C0 / C180
C90 / C270

Height	Max / Avg lx	Diameter
1.0m	2175 / 1725 lx	64 cm
2.0m	534 / 431 lx	128 cm
3.0m	242 / 192 lx	191 cm
4.0m	136 / 108 lx	255 cm
5.0m	87 / 69 lx	320 cm

Beam Angle of C0 Plane 35.41

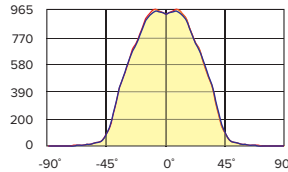
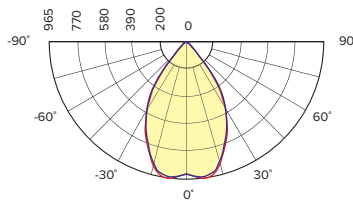
60° Reflector



C 112.5 max
C0 / C180
C90 / C270

Height	Max / Avg lx	Diameter
1.0m	513 / 415 lx	144 cm
2.0m	128 / 103 lx	288 cm
3.0m	57 / 46 lx	432 cm
4.0m	32 / 26 lx	577 cm
5.0m	21 / 17 lx	721 cm

Beam Angle of C112.5 Plane 71.55





C 0 max
C0 / C180
C90 / C270

Height	Max / Avg lx	Diameter
1.0m	965 / 792 lx	130 cm
2.0m	241 / 198 lx	258 cm
3.0m	107 / 88 lx	389 cm
4.0m	61 / 50 lx	516 cm
5.0m	39 / 32 lx	645 cm

Beam Angle of C0 Plane 65.62

Zimano Technical Specifications



LED light engine		ZM10	ZM18
IP rating	Ingress Protection IP20		
Materials & Finish	anodised thermal aluminium		
Lens	multi faceted reflector & patented mixing dome optic		
Performance	>36,000 hours TM21		
Ambient temperature	-5° C to +50° C operating range with electronic thermal management		
Optic distribution	40° medium, 60° wide		
Weight		65 grams	310 grams
Light source	Lumileds LED 1800K - 2700K		
CRI	typically 90		
Luminous output	IES photometric files available	620 lumens	1100 lumens
Efficacy		62 lm/W	61 lm/W
			
LED driver		DGLC650C13PD	DGLC1000C25PD
Output current	constant current - phase dimmable	650mA	850 mA
Output voltage		12 - 16 Vdc	12 - 21 Vdc
Efficiency		> 77%	> 77%
Power factor		0.95	
Total Power		12W	23W
Control	phase dimming compatible		
Weight		180 grams	233 grams

Zimano Accessories



LEDsmart™ dimmer

MBY-MEDM

- High quality, two-wire phase control
- Fits Australian wall switch plate apertures
- Minimum load rating of 2W
- Mechanically adjustable max/min level
- An integrated ON LED indicator



LEDsmart⁺ dimmer

MBY-MMDM-RT

- **Single knob with built in touch switch**
- High quality, two-wire phase control
- Minimum load rating of 1W
- Programmable adjustable max/min level
- 'Quick flick' dim to max/min level
- Illuminated halo with interchangeable coloured rings
- Kids bedroom mode – dims over 30 minutes

Reflector 10 pack

Quick change reflector with ZM10 tool.



MBY-ZMR-40D-10PK

40° medium / 10 pack



MBY-ZMR-60D-10PK

60° medium / 10 pack

ZM10 reflector change tool included.
ZM18 reflector can be removed manually from the front housing.