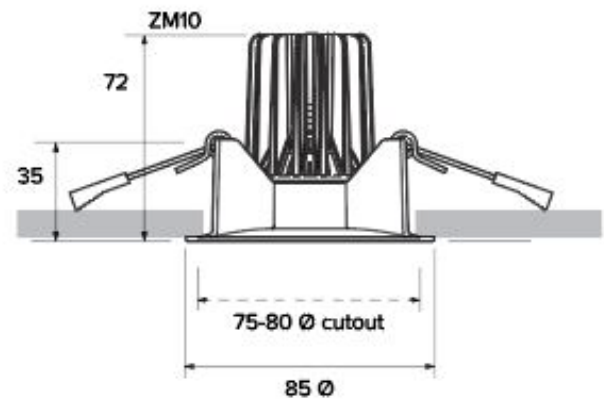
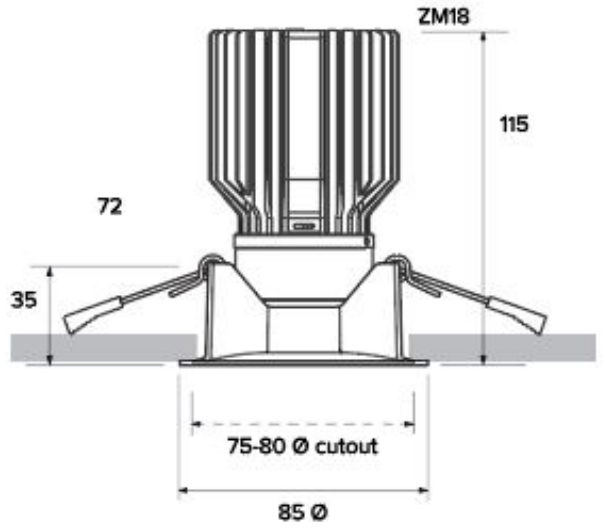


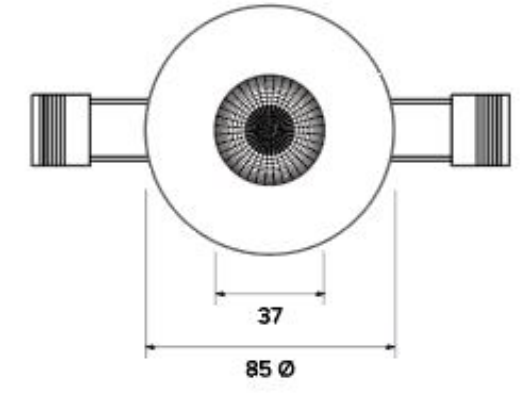
Scoop Housing



S1 Scoop Housing Elevation
ZM10 LED light engine

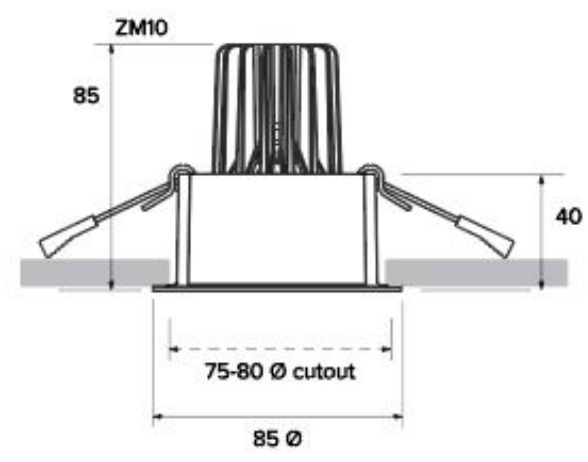


S2 Scoop Housing Elevation
ZM18 LED light engine

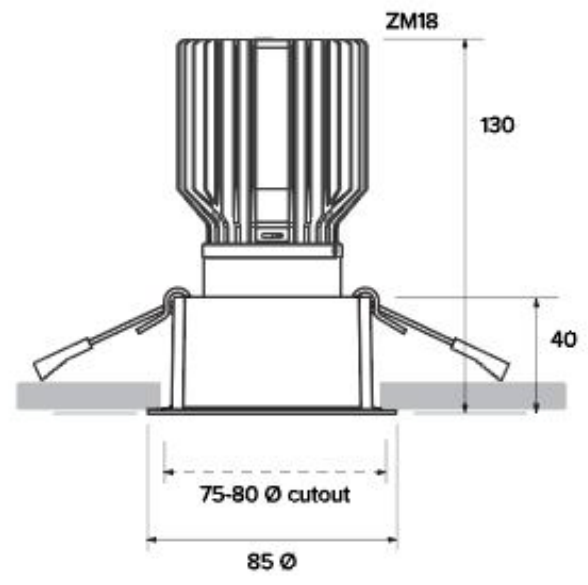


S3 Scoop Housing Plan
ZM LED light engine

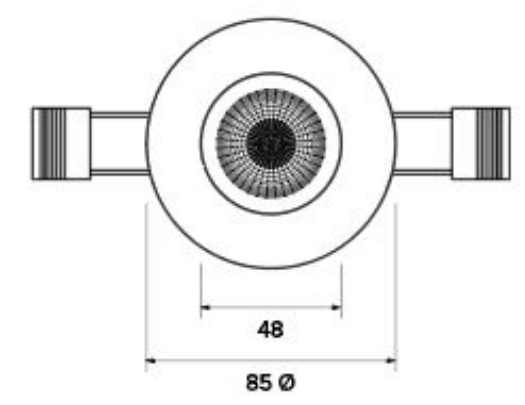
Adjustable Housing



A1 Adjustable Housing Elevation
ZM10 LED light engine



A2 Adjustable Housing Elevation
ZM18 LED light engine



A3 Adjustable Housing Plan
ZM LED light engine



			Zimano LED Downlight		
MATERIAL	COLOUR	SURFACE FINISH			DRAWING TITLE
		NAME	DATE	SCALE:	
ALL DIMENSIONS ARE IN MILLIMETERS (mm)		DRAWN BY	CHECKED	SIZE A3	SHEET: 1 OF 1
PART VOLUME (mm ³)		COPYRIGHT, THE INFORMATION CONTAINED IN THIS DRAWING IS THE SOLE PROPERTY OF MEGABAY PTY LTD. ANY REPRODUCTION IN PART OR AS A WHOLE WITHOUT THE WRITTEN PERMISSION OF MEGABAY PTY LTD IS PROHIBITED.			1
PROPRIETARY AND CONFIDENTIAL					REV