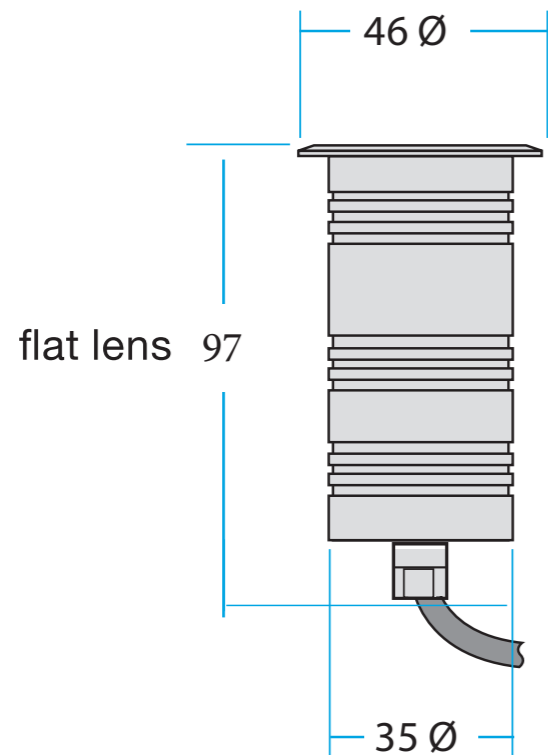
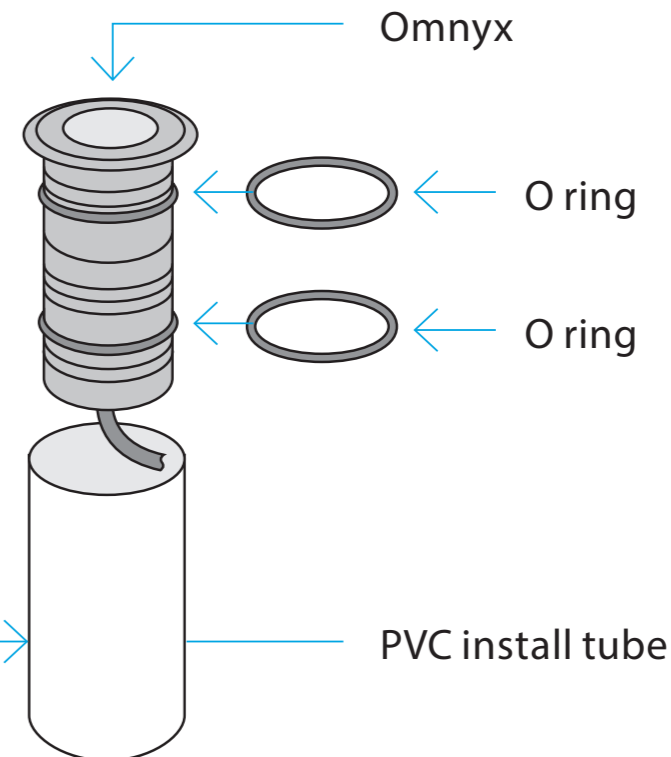
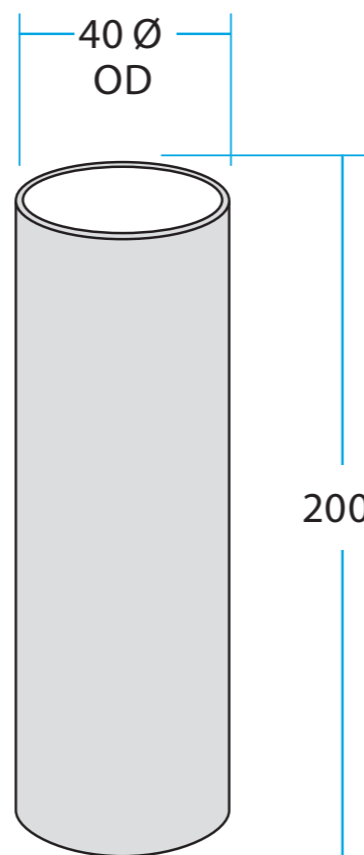


MLX0



MXI - 200

optional install tube includes 2 O rings



PROJECT		MATERIAL	COLOUR	SURFACE FINISH		DRAWING TITLE	
CLIENT		ALL DIMENSIONS ARE IN MILLIMETERS (mm)		NAME	DATE	SIZE A3	SCALE:
		PART VOLUME (mm3)	CHECKED	DRAWN BY		SHEET: 1 OF 1	
<small>COPYRIGHT 2015, THE INFORMATION CONTAINED IN THIS DRAWING IS THE SOLE PROPERTY OF MEGABAY PTY LTD. ANY REPRODUCTION IN PART OR AS A WHOLE WITHOUT THE WRITTEN PERMISSION OF MEGABAY PTY LTD IS PROHIBITED.</small>							
<small>PROPRIETARY AND CONFIDENTIAL</small>							1
							REV