

DATE

PROJECT

TYPE



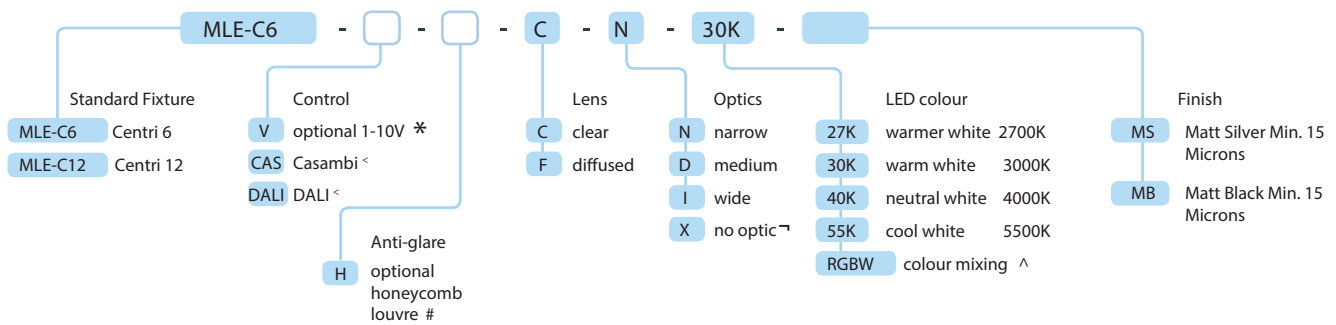
C12
Centri 12



C6
Centri 6

Specification Code

Select from available options to configure luminaire.

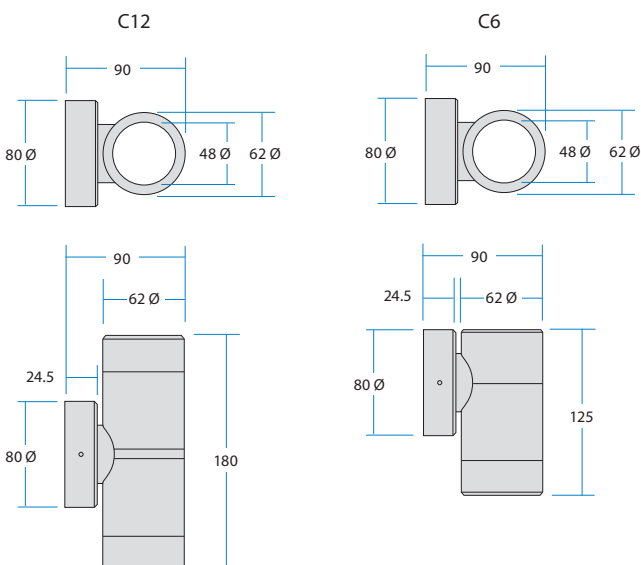


Any dimming control must have a 4 core cable.

- * 1-10V analogue control is optional for white LED luminaires.
- ^ RGBW luminaires are powered by the RGBW LED Driver, which can be controlled by DALI or DMX512.
- # Not suitable for RGBW.
- < Must be paired with 24V PSU.
- ↗ No optic may provide uneven patterns on flat surfaces.

Dimensions

All measurements are shown in mm.





C6

C12

Luminaire Specifications

IP rating	Ingress Protection IP67		
Materials & finish	Aluminum grade 6063 anodized with minimum 15 micron Matt Black or Matt Silver		
Lens	clear or diffused tempered glass		
Performance	> 70% lumen maintenance at 50,000 hours (25° C)		
Ambient temperature	-25° C to +45° C operating range with electronic thermal management		
Optic	narrow 18°, medium 25°, wide 36°, flood > 100° (no optic) offers the widest distribution		
Weight		1.68 kg	2.19 kg



White Luminaire

Light source	CREE™ XP LEDs available in			
	warmer white 2700K - 3000K	neutral white 4000K	cool white 5500K	
CRI	85 ~ 90	80 ~ 85	75	
Luminous intensity	IES photometric files available		up to 540 lumens	up to 1080 lumens
Efficacy	up to 90 lumens per watt depending on colour temperature			
Power	total wattage including integral VDi™ driver		6W	12W
VDi™ input range (VDC)	28V ~ 55V DC			
Control	optional 1-10 volt analogue , Casambi, DALI			
Power Supply	Optimo High Performance IP67 Power Supply Units can power the maximum number of luminaires	MLE-OM-320W	53	26
		MLE-OM-240W	40	20
		MLE-OM-150W	24	12
		MLE-OM-60W	10	5



RGBW Luminaire

Light source	CREE™ MC-E quad chip RGBW LED		
CRI	variable depending on colour mix		
Efficacy	up to 95 lumens per watt		
Power	total wattage	6W	12W
Control	DMX512, DALI or Casambi via PDR-A		
RGBW Driver	MLE-PDR can power the maximum number of luminaires	4	2

C6


C12

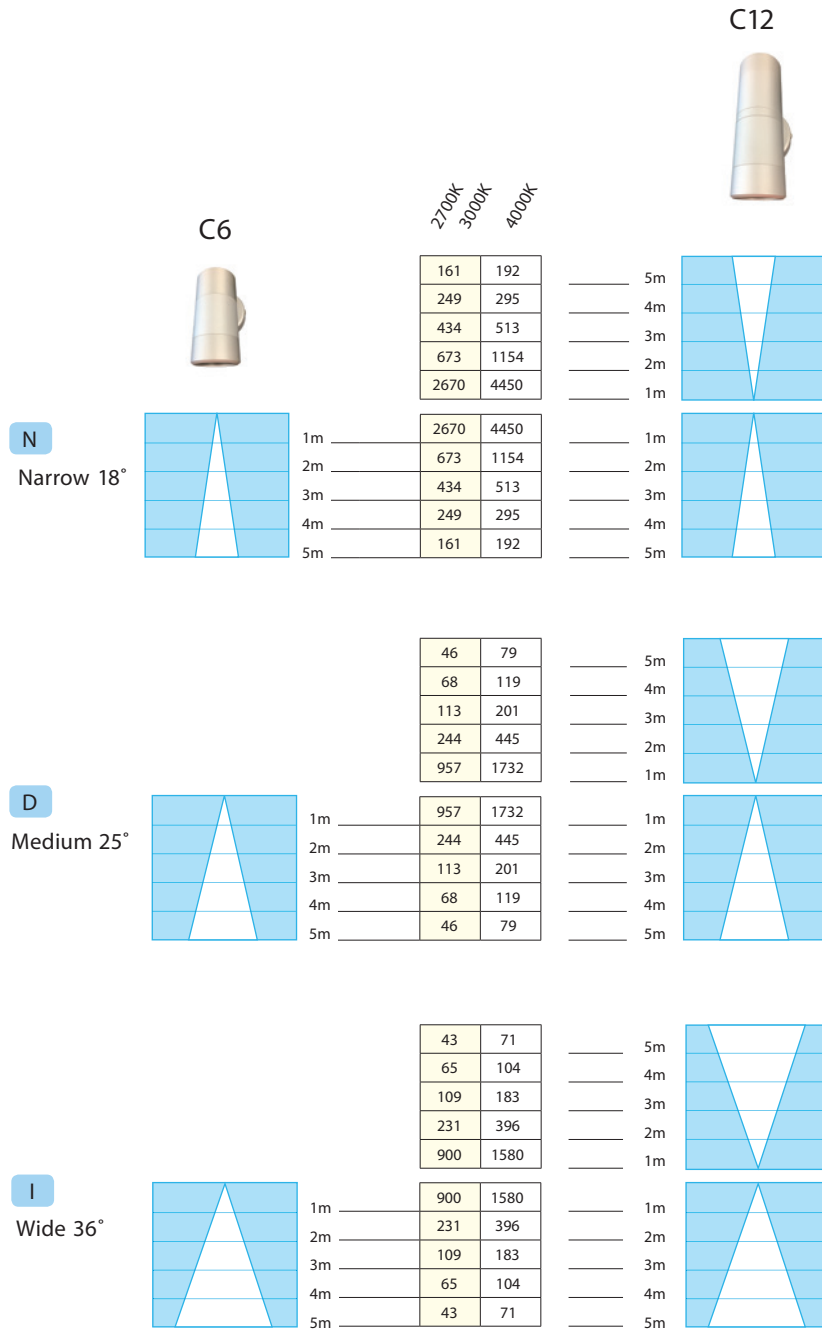
Centri Photometrics

Light level (LUX) readings

The following tests were performed in 25 degrees ambient temperature after 2 hours of operation. These results were measured using a HAGNER light meter calibrated by a NATA approved laboratory.

 warmer white 2700K – 3000K

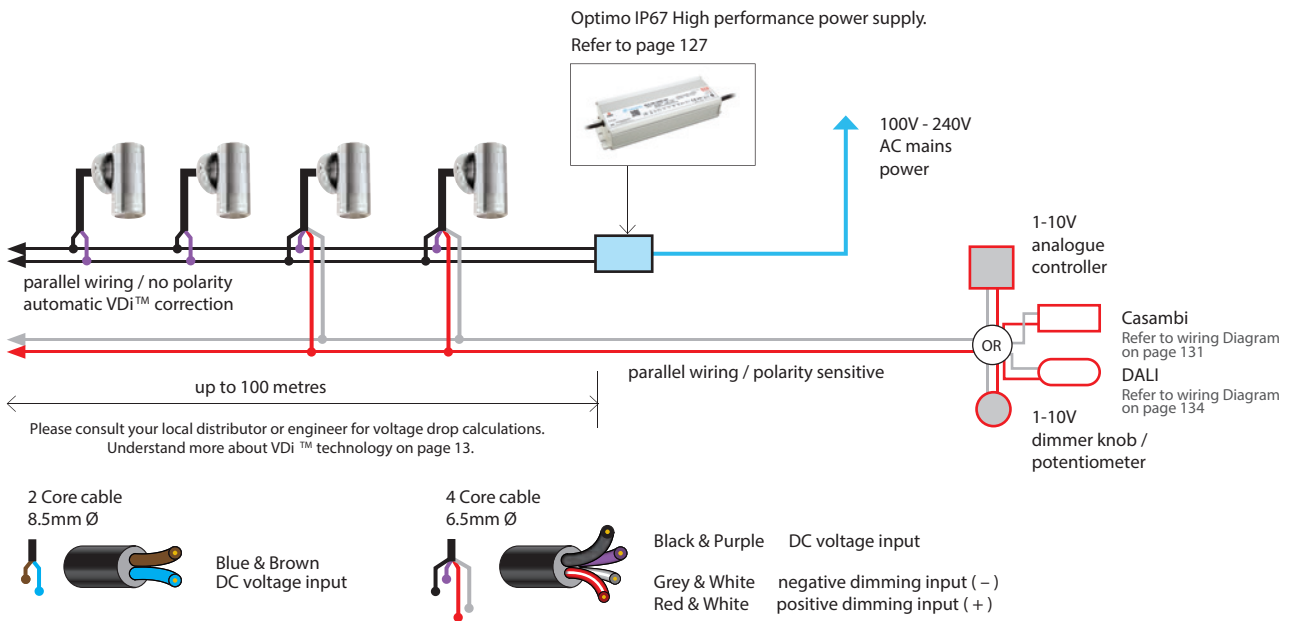
 neutral white 4000K



Centri Photometrics

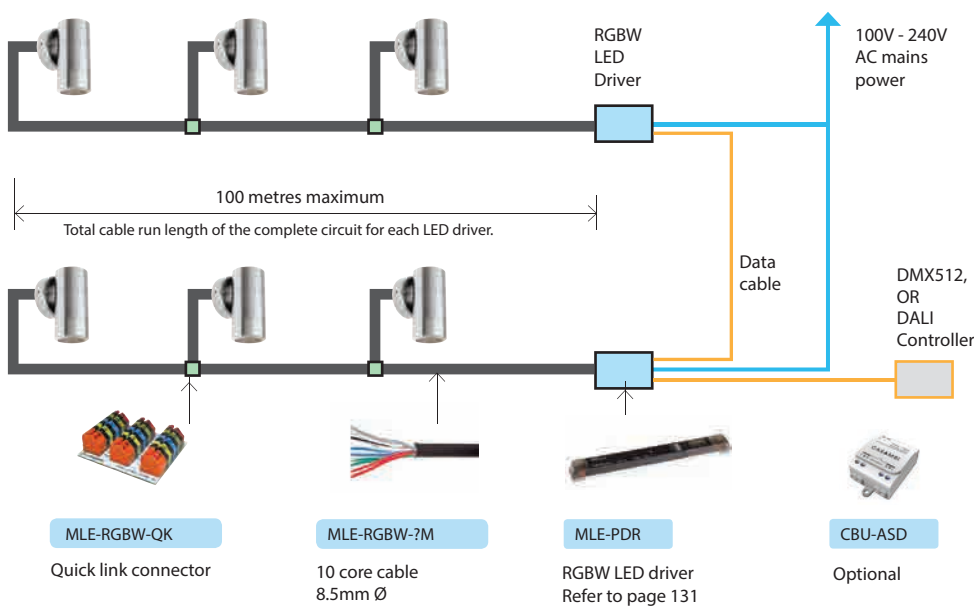
White System Layout

Quantity of luminaires per power supply
Refer to Power Supply in the Technical Specifications table on the next page.



RGBW System Layout

Quantity of luminaires per driver
Refer to RGBW Driver in the Technical Specifications table on the next page.



Centri Accessories

Accessories

Power Supply

MLE-OM-320W	320 watts
MLE-OM-240W	240 watts
MLE-OM-150W	150 watts
MLE-OM-60W	60 watts

RGBW Accessories

Quick link connector
MLE-RGBW-QK

10 core cable
MLE-RGBW-?M

RGBW LED driver
MLE-PDR

Casambi Module
CBU-ASD

White Accessories

CBU-ASD

DALI