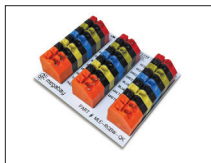


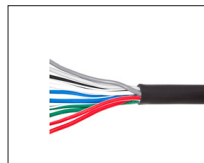
Quick Link Connector & 10 Core Cable

Quick link connector



MLE-RGBW-QK

10 core cable

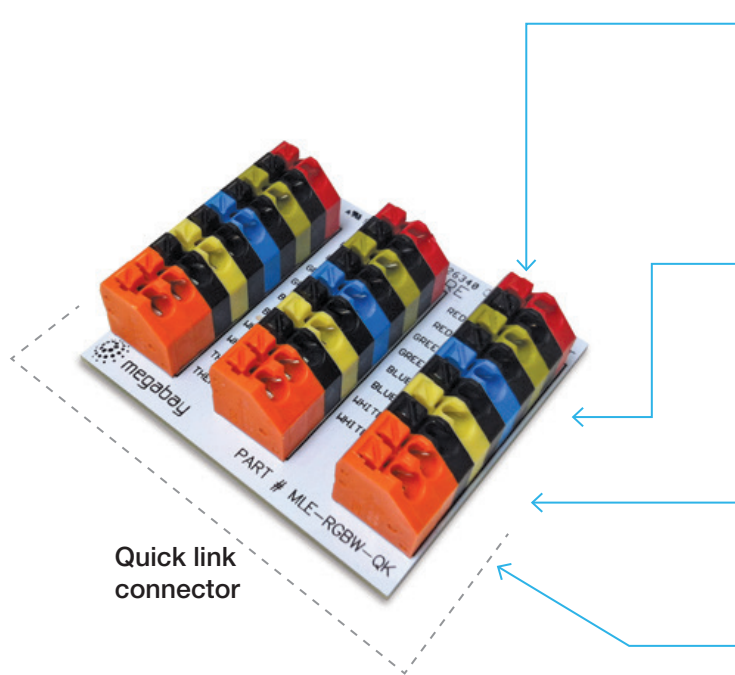


MLE-RGBW-?M



RGBW luminaires require the **Quick Link Connector** and the **10 Core Cable** to connect multiple luminaires in series.

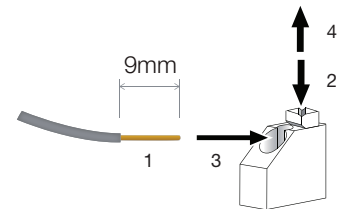
Save time and money with this quick and simple connection system.



Quick link connector

Quick connectors save you time

- 1 strip wire as shown
- 2 depress button
- 3 feed wire into opening
- 4 release button



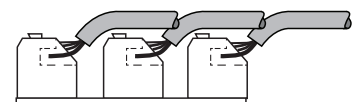
Colour coded connectors make installation easy

making connections is quicker and easy with colour coding



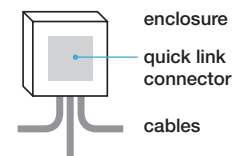
Cables wire-in from the same direction

all connectors face the same direction so the connection sequence is repeatable



Smaller enclosure required

less room is required around the link connector with multiple cables sharing a common direction



No cable plug

With no connector plug to remove, inserting cable into a enclosure is quicker and saves time by not having to wire 10 pin connectors



10 core cable

Wire colours with matching label

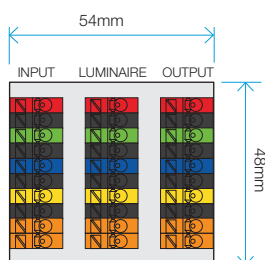
Each Quick Link Connector has a label to provide visual reference for easy wire identification.

+ (Solid colour) - (Colour with white stripe)

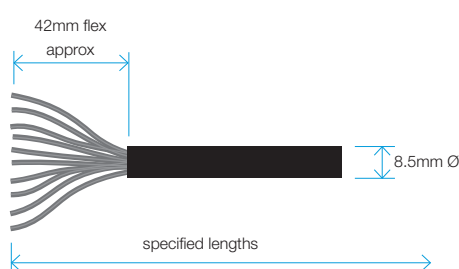
Quick Link Connector & 10 Core Cable

Dimensions

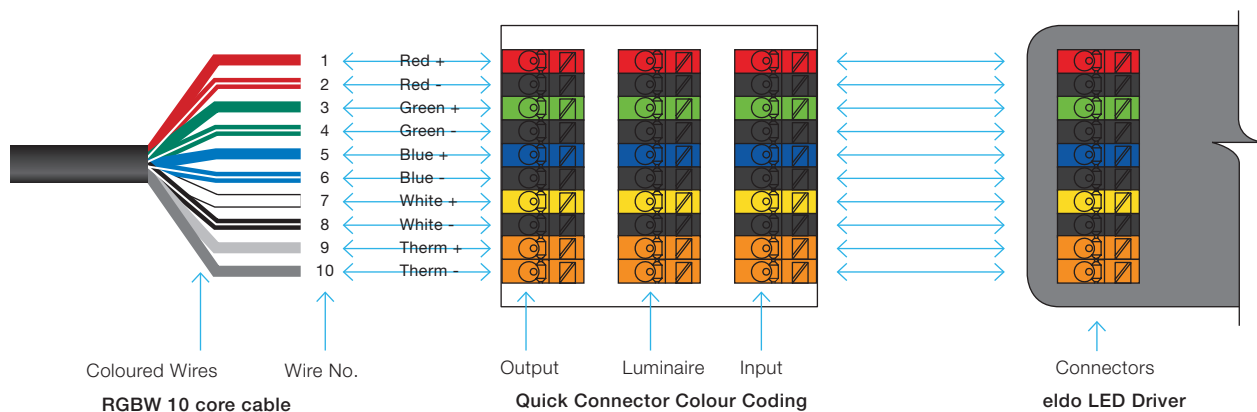
Quick Link Connector



10 Core Cable



Colour Coded Connections



10 core cable				Quick Link Connector			eldo LED driver	
Control Channel	Wire	Wire Colour		Connector	Label	Colour	Connector	Colour
Red (+) Channel 1	Wire 1	Red		Red	Red +		Red	
Red (-) Channel 1	Wire 2	Red / White Stripe		Black	Red -		Black	
Green (+) Channel 2	Wire 3	Green		Green	Green +		Green	
Green (-) Channel 2	Wire 4	Green / White Stripe		Black	Green -		Black	
Blue (+) Channel 3	Wire 5	Blue		Blue	Blue +		Blue	
Blue (-) Channel 3	Wire 6	Blue / White Stripe		Black	Blue -		Black	
White (+) Channel 4	Wire 7	White		Yellow	Yellow +		Yellow	
White (-) Channel 4	Wire 8	Black / White Stripe		Black	Yellow -		Black	
Thermal feedback	Wire 9	Light Grey		Orange	Them +		Orange	
Thermal feedback	Wire 10	Dark Grey		Orange	Them -		Orange	

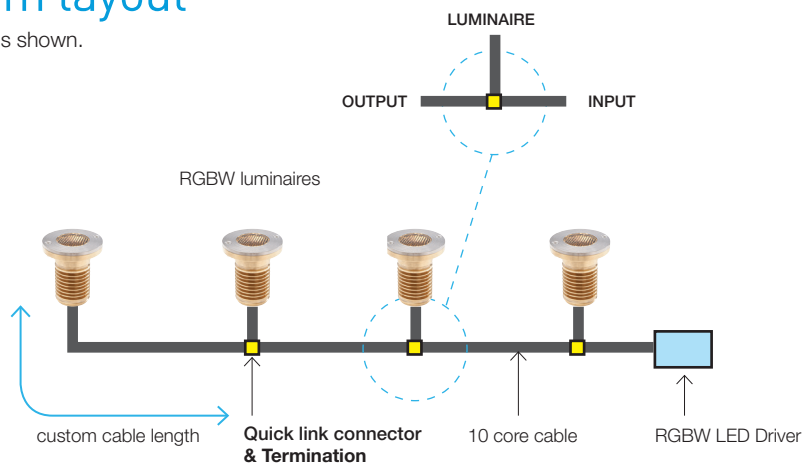
Quick Link Connector & 10 Core Cable

Terminating the system layout

can be achieved by either one of the two methods shown.

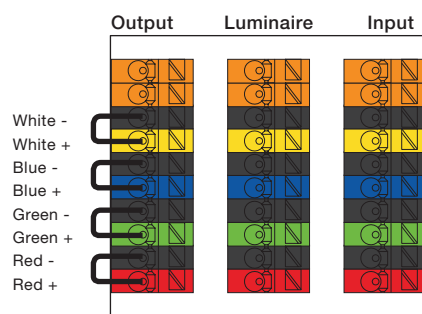
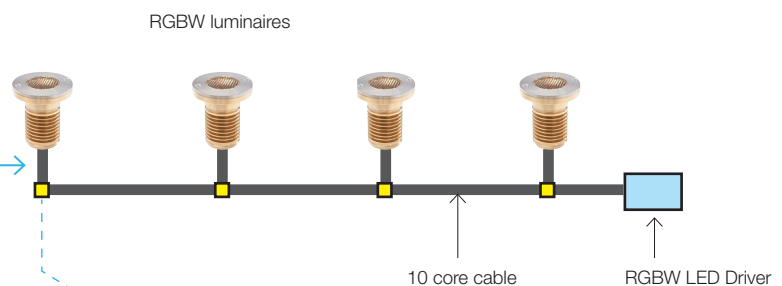
1 One less connector

TERMINATION is enabled by connecting a luminaire to the OUPUT of the last QUICK LINK CONNECTOR



2 Equal connectors

TERMINATION is enabled by performing a looped wired connection to the OUPUT end of the QUICK LINK CONNECTOR as shown below.



Wires looped to terminate each channel

Quick link connector termination

Quick Link Connector

Image Detail

