

DATE

PROJECT

TYPE

## MAKE A CUSTOM SPEC SHEET

- ▼
- A Red Arrow indicates selectable items
- Step 1 - Choose your finish.
- Step 2 - Select the Spec code
- Step 3 - Use SAVE AS to save & rename the file.

## FINISH SELECTOR

## LUMINAIRE SPECIFICATION CODE SELECTOR

MODEL — OPTIC — LED COLOUR — CONTROL — FINISH

**Model**

**VE5 - 500mm**

**MBY-VE5-15W** 15 watts

**MBY-VE5-30W** 30 watts

---

**VE10 - 1000mm**

**MBY-VE10-25W** 25 watts

**MBY-VE10-50W** 50 watts

**Optic**

**N** narrow

**D** medium

**I** wide

**E** elliptical

**F** flood \*

**LED colour**

**27-55K** tuneable white  
2700K - 5500K

**30K** warm white 3000K

**40K** neutral white 4000K

**RGBW** RGBW colour mixing

**Control**

**NDM** no dimming

**DMX** DMX

**Finish**

**LG** lunar grey

**MB** midnight black

**SM** silver metallic

\* white only

## SPECIFICATIONS

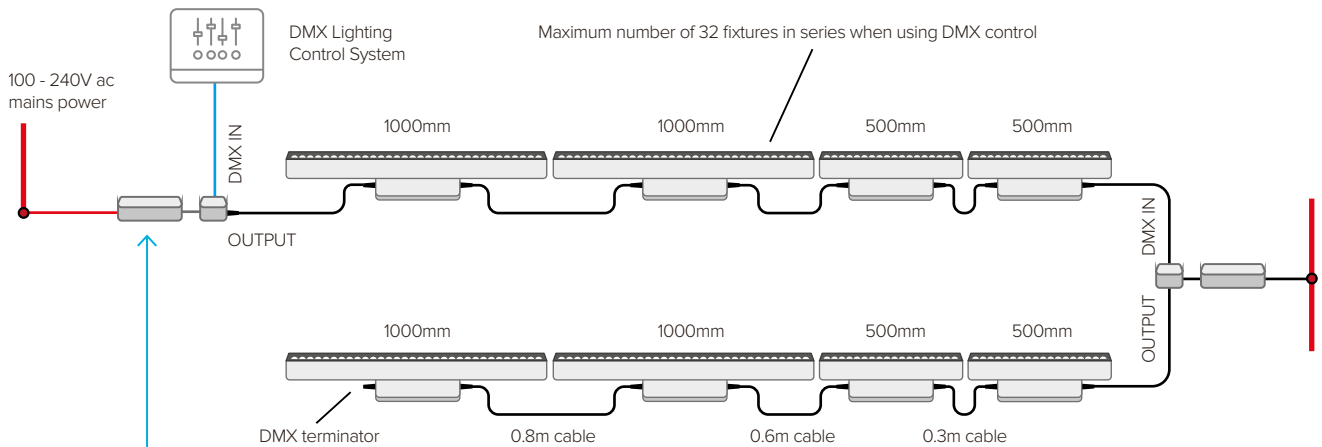
Model - Length	VE5 - 500mm		VE10 - 1000mm			
<b>Power</b>	total wattage including integral VDi™ driver		15W	30W	25W	50W
<b>IP rating</b>	Ingress Protection IP66					
<b>Materials &amp; Finish</b>	Extruded anodised thermal aluminium					
<b>Lens</b>	tempered clear glass					
<b>Performance</b>	> 70% lumen maintenance at 50,000 hours ( 25° C )					
<b>Ambient temperature</b>	-25° C to +50° C operating range with electronic thermal management					
<b>Optic White</b>	narrow 15°	medium 26°	wide 54°	elliptical 100° x 20°	flood 76°	
<b>Optic RGBW</b>	narrow 16°	medium 25°	wide 46°	elliptical 40° x 17°	no flood available	
<b>Light source</b>	CREE™ XP LEDs		tuneable white 2700K - 5500K	warm white 3000K	neutral white 4000K	RGBW
<b>CRI</b>			80 - 90	90 minimum	85 minimum	variable
<b>Luminous output</b>	Lumens upto ... ( IES photometric files available )		1425	2850	2375	4750
<b>Efficacy</b>	up to 95 lumens per watt					
<b>VDi™ input range</b>	40V – 55VDC					
<b>Weight</b>			3.2 kg		5.2 kg	

DATE

PROJECT

TYPE

## SYSTEM SCHEMATIC - DMX



### 48V PSU with QUICK CONNECT INTERFACE

ITEM	WATTS	CONTROL
<b>MLE-OM-48V</b>	<b>320W</b>	<b>DMX</b>
	320W	320 watts
	240W	240 watts
	150W	150 watts
	60W	60 watts
		NDM no dimming
		DMX DMX

### QUICK CONNECT CABLE

ITEM	LENGTH
<b>MBY-QK-CABLE</b>	<b>0.6M</b>
	300mm
	600mm
	800mm
	1 metre
	2 metres
	5 metres
	10 metres
	20 metres
	50 metres

### DMX TERMINATOR

ITEM  
**MBY-QK-DMXT**

For DMX control only, remove the END CAP and use the terminator on the end of the last fixture.

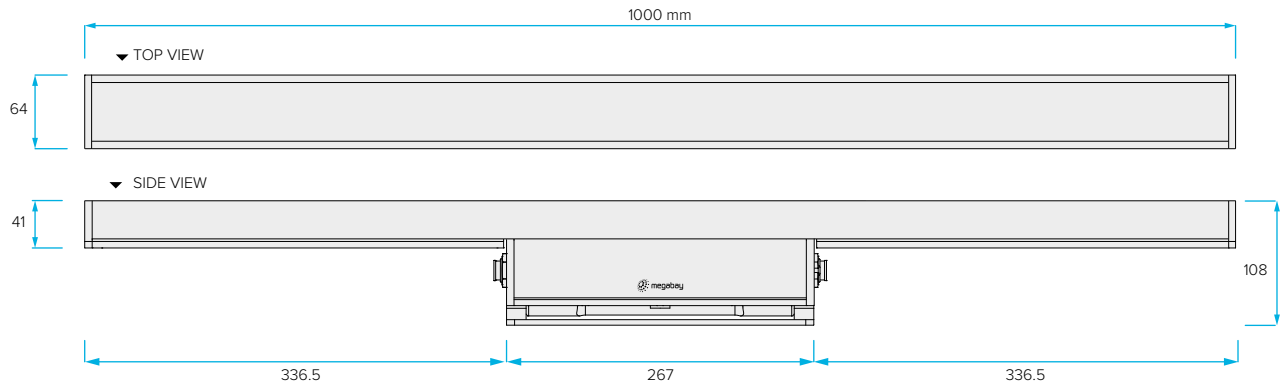
### POWER SUPPLY TO LUMINAIRE TABLE

48V Optimo High Performance IP67 Power Supply Units can power the maximum number of luminaries

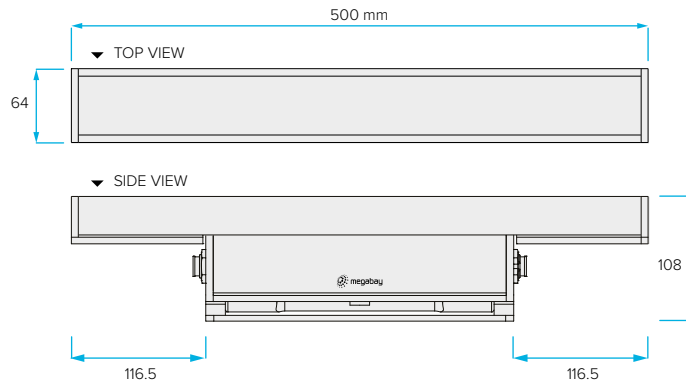
48V Optimo Power Supply	VE5 - 500mm		VE10 - 1000mm	
	15W	30W	25W	50W
MLE-OM-48V-320W	18	9	11	5
MLE-OM-48V-240W	12	6	8	4
MLE-OM-48V-150W	7	3	5	2
MLE-OM-48V-60W	3	1	2	1

DATE	PROJECT	TYPE
------	---------	------

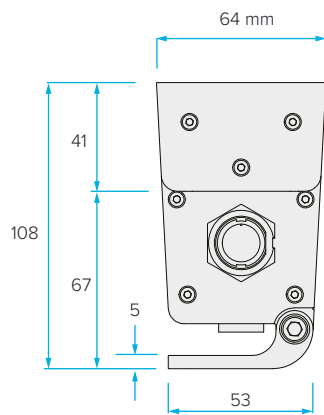
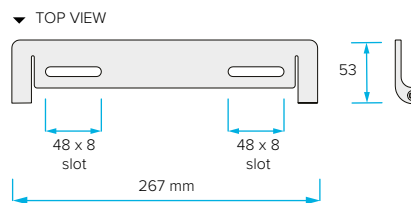
## VE10 - 1000mm



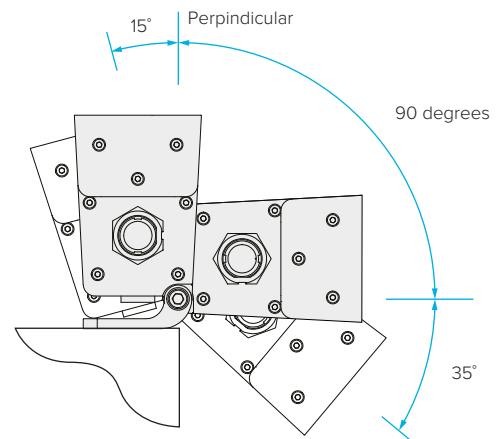
## VE5 - 500mm



## MOUNTING BRACKET



**END PROFILE**



**PIVOT RANGE**