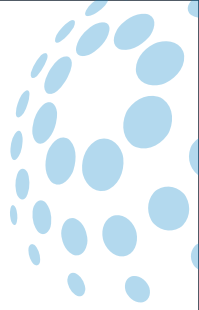


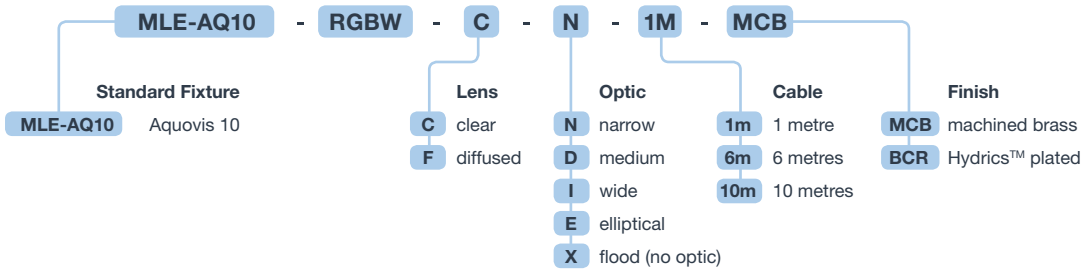
# Aquovis 10 RGBW



LED UNDERWATER LIGHT

ILLUMINATE YOUR WORLD

## Specification Code Example showing how to specify a Aquovis 10 luminaire.



## Specifications

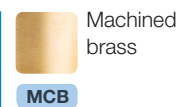
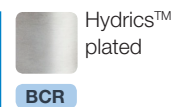
IP rating	Ingress Protection - IP68	
Materials & finish	thermally optimised DZR brass optional Hydrics™ plated finish	
Lens	clear or diffused 6mm tempered glass	
Light source	CREE™ MC-E quad chip RGBW LED	
CRI	variable depending on colour mix	
Performance	> 70% lumen maintenance at 50,000 hours	
Optic (FWHM)	narrow 19°, medium 26°, wide 35°, elliptical 45° x 15° flood > 100° (no optic) offers the widest distribution	
Efficacy	up to 100 lumens per watt	
Power	10 watts total	
Control	DMX 512 or DALI ( using the DALI to DMX bridge )	
Power supply	<b>Optimo QUAD™</b> MLE-OM-DMX4	<b>Optimo MATRIX™</b> MLE-OM-MATRIX
	4 Channels / 1 Group	24 Channels / 6 Groups
	12 luminaires	72 luminaires

All dimensions shown are in millimetres (mm)



Optional M1510 base plate shown

### FINISH OPTIONS



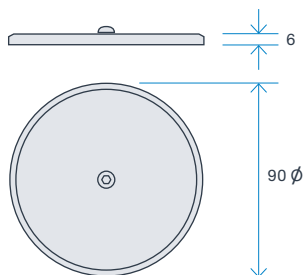
## Accessories



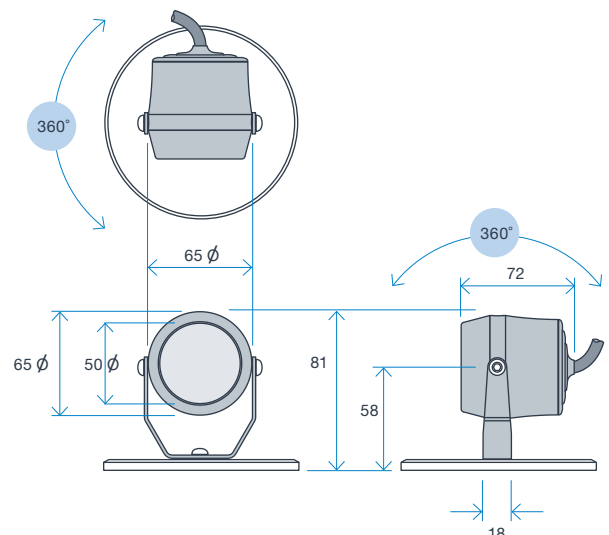
**MEGABAY PCB LINK BOARD**  
MLE-RGBW-LK



**MEGABAY 10 CORE CABLE**  
MLE-RGBW-?M



### OPTIONAL BASE PLATE & SCREW



For the latest information visit - [www.megabay.com/aquovis](http://www.megabay.com/aquovis)

Specifications are subject to change without notice. CREE™ is a registered trademark of CREE Inc.