

### Important !

Please follow instructions carefully. Failure to do so will void warranty. **Please ensure installation complies with local law and applicable standards.**

- Only use a Megabay Optimo transformer or power supply.
- Ensure mains input power is surge protected.
- Never make connections whilst the power is connected.
- Do not make modifications or alter the product.
- Gloves must be worn handling optics
- Keep luminaire clean and free of debris.

### Step 1

Locate and mark position of luminaires. Observing maximum cable distance and transformer load. (Refer to tables).

Use either **Drill in** or **Blockout** method.

### Maximum number of Luminaires on a single cable run

Cable Type	100m	50m
1.8mm <sup>2</sup> (AWG 13) cable	10	20
4.0mm <sup>2</sup> (AWG 6) cable	20	40

### Maximum number of Luminaires per Transformer

MLE-OT-100	1 - 20
MLE-OT-200	1 - 40

Cable example shown. Consult your cable supplier for detailed voltage drop information.

### Step 2

Run low voltage cable from the transformer to the luminaires.

**Input voltage range 10V AC ~ 30V AC  
12V DC ~ 32V DC**

### Step 3

#### Surface Mounting in Concrete

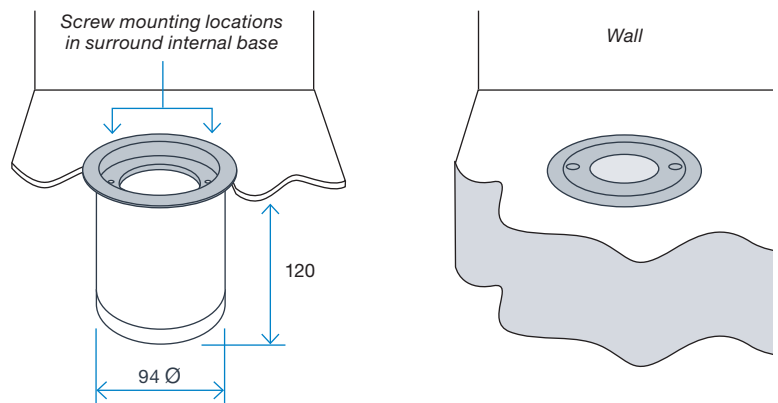
Position the top of the blockout surround at the finished surface level, allowing for any tiles or paving to be installed.

**Note:** Locate screw position to be parallel to wall.

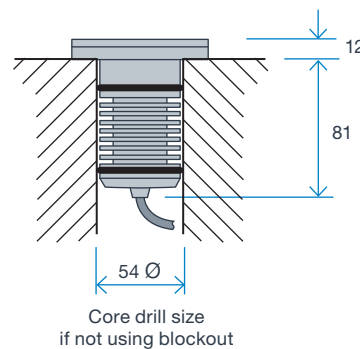
Pour concrete.

Rotate body into position and secure luminaire.

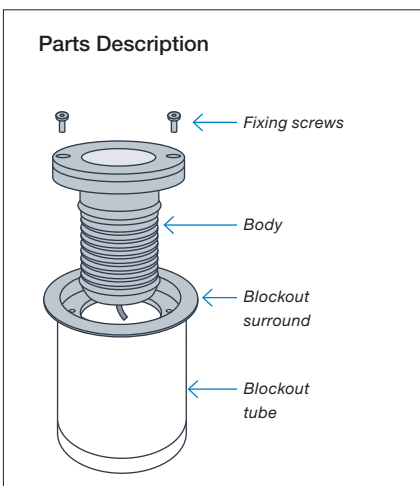
#### Blockout Method



#### Drill in Method



All dimensions shown are in millimetres (mm)



### Step 4

A solder joint insulated with an adhesive lined heat shrink is recommended for long term performance.

### Step 5

Insert body into blockout surround and fasten with fixing screws supplied.

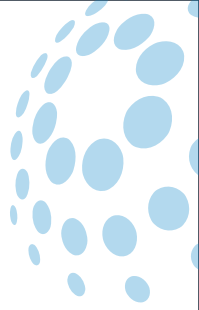
**See Page 2 for Wiring & Dimming Schematic**



#### Wire Legend

Black AC Power  
Purple AC Power  
Red & White 1-10V DC dimming (+)  
Grey & White 1-10V DC dimming (-)





### Wiring Schematic

220-240V AC mains input



#### Important !

Please follow schematic carefully. Failure to do so will void warranty. Please ensure installation complies with local law and applicable standards.

